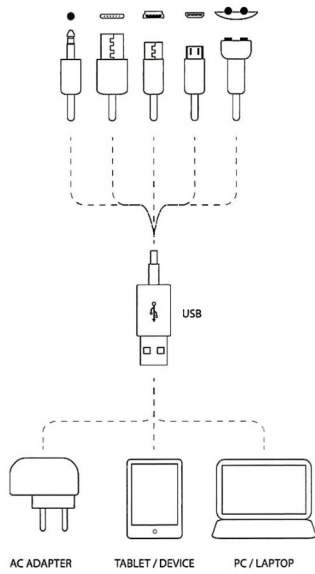


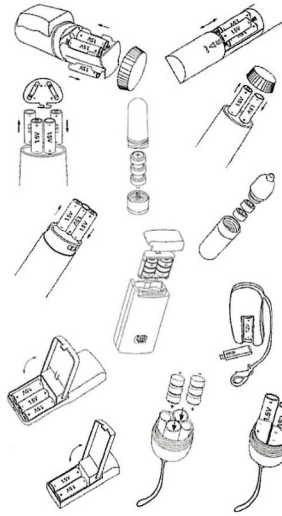
VIBRATOR INSTRUCTIONS MANUAL

USB RECHARGE INSTRUCTIONS



VIBRATOR INSTRUCTIONS MANUAL

BATTERY INSERTION INSTRUCTIONS



EN - VIBRATOR MAINTENANCE INSTRUCTIONS

- Be careful when using the vibrator for the first time, the vibration can be very intense.
- Always clean the vibrator after use.
- Be careful when cleaning the vibrator. Remember that it is an electrical device: moisture can damage it and even damage the battery.
- Always remove the batteries before cleaning the vibrator and after using it to keep them in optimal condition.
- Keep the vibrator clean and dry. Store it in a moisture-free place, as this can damage the engine and batteries.
- Store the vibrator separately. The materials of other products have different chemical compositions that can react with each other.
- Before storing the vibrator, allow it to cool. Vibrators are electrical devices whose motors get hot with use.
- Excessive use of the vibrator will cause wear and motor overheating. If you notice that the vibrator is too hot, turn it off and allow it to cool before continuing to use it.
- If you use oils or lubricants, be careful that they do not come into contact with the batteries, which could cause a reaction with them.

BATTERY MAINTENANCE INSTRUCTIONS

- Place the batteries in the correct position (pay attention to polarity + -)
- Remove the batteries when you do not use the appliance.
- Avoid short circuits at the power terminals; Do not bridge the terminals with metal parts.
- Use only recommended batteries.
- Use the appliance only when it is fully assembled; To do this, follow the assembly instructions.
- Do not mix different types of batteries and new and used batteries.

MAINTENANCE INSTRUCTIONS FOR THE RECHARGEABLE BATTERY

- The USB interface can be connected to the computer and any other compatible charger.
- Make a full charge before the first use.
- To prolong the life of the battery it is advisable to use the vibrator only at the necessary time and not leave it on for a long time after charging it completely.

WARNING

To avoid injury or worsening of existing pathologies, do not use this device in inflamed or swollen areas or with lacerated skin. The use of this device does not imply or guarantee any right to claim for medical reasons.